

We strongly advise having them installed by a professional. However, if you prefer to do it yourself, you will require the following:

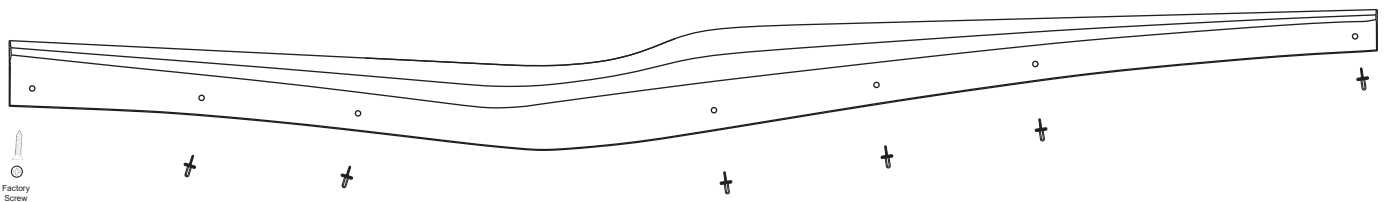


www.RadiatorGrilleStore.com

- Drill
- Jack and stands
- Rivet Gun for the corresponding rivets
- 6 Rivets **Included
- 1 Bolt pre-installed on vehicle

Installation Instructions

1. Remove the bolt that is on your vehicle. It is on the far end closest to the rear tires.
2. Place the side skirt up against the vehicle to check for fitment and begin installation.
3. Start on the end 1st, by installing the bolt that came on your vehicle. Working your way towards the front.
4. Pressing the side-skirt firmly against the vehicle to ensure a snug and seamless fit proceed to install the rivets working your way towards to front.
5. For the 5VM kit, also see the template for the bolt installation for an OEM style installation.



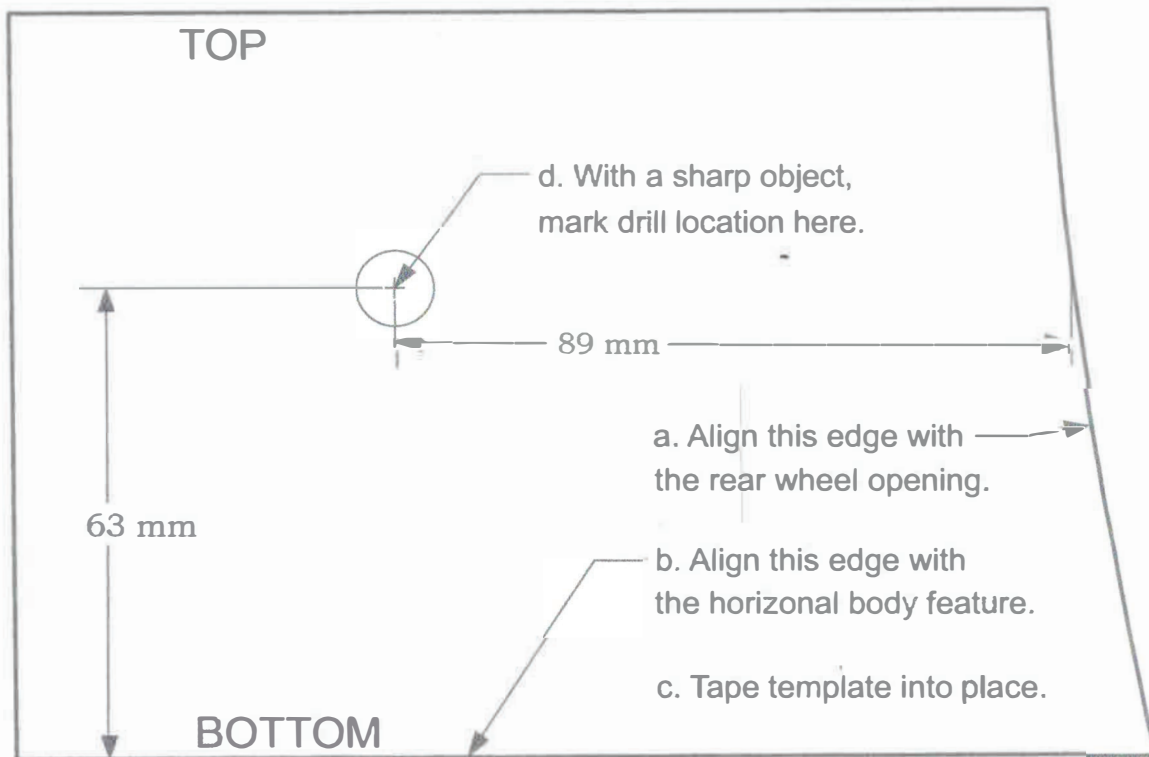
PLEASE NOTE:

These parts should be installed by a professional body shop. All parts are sold for off-road and show use only. We do not accept liability for injuries resulting from customization. This is installed at buyer/owner own risk. You as the buyer/owner are responsible for complying with any and all local, state and federal laws.

5VM Side Skirt Drill Template

1. CONFIRM SCALE BELOW. Line must be 50mm.
2. Cut out template below on solid perimeter lines.
3. Line up template per the directions and mark the drill location on the driver side body. *
4. Carefully remove the template.
5. Before drilling, confirm horizontal & vertical dimensions to drill location. Correct if needed.
6. Drill a small pilot hole at the marked location.
7. Enlarge the hole to 3/8 " using a 3/8 " drill.

*Reverse template for use the passenger side



Scale Check
50mm